

Texas Blues TB-1 Nestboxes

The TB-1 series of nestboxes are designed to meet the demands of the Texas environment. The following design plans are sized for Eastern Bluebirds and will accommodate other small cavity nesters. The TB-1 nestboxes have a common design concept and vary only slightly based on: 1) desired floor area, 2) available construction tools, and 3) available lumber (all use standard sizes). White pine and cedar have proven to be the most durable in the hostile Texas environment and easy to work with. But other wood can be used as long as it is NOT chemically treated to repel insects or resist decay. (Wolmanize is the most common of these chemical treatments that should NOT be used.)

All of the TB-1 nestboxes can include the insulating 2nd roof, which is shown on the TB-1C plan. This additional roof provides insulation from the severe Texas summer heat and provides additional protection from rain as well.

The following briefly describes each of the TB-1 nestboxes. The table at the bottom summarizes the differences.

TB-1:

The TB-1 is built from standard 1x12 lumber. The builder must have access to a table saw because the 1x12 must be ripped.

TB-1A:

The TB-1A is built from standard 1x6, 1x8 and 1x10 lumber. It provides the largest floor area (32 square inches), accommodating species that need a little more space, like Carolina Wrens and Great Crested Flycatchers.

TB-1B:

The TB-1B is built from standard 1x6 and 1x10 lumber.

TB-1C:

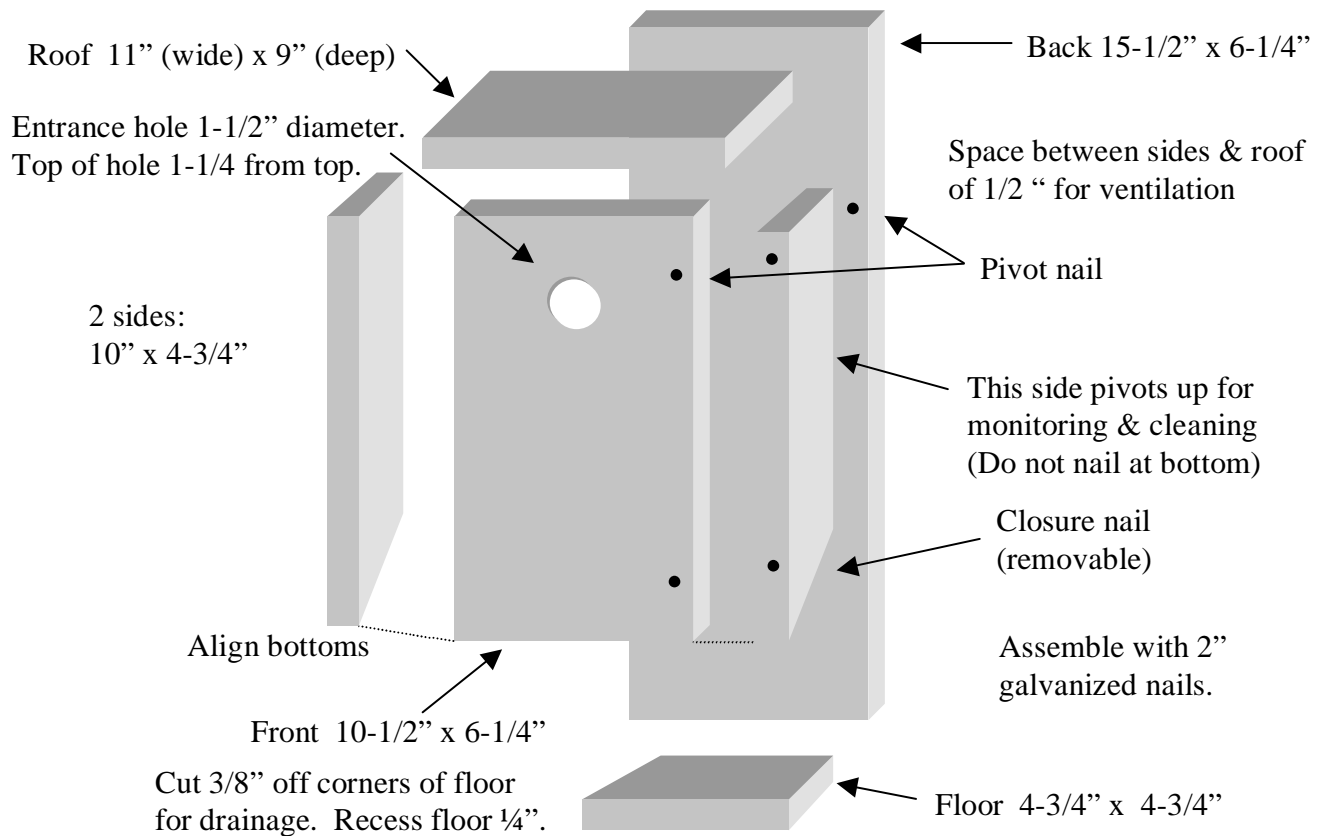
The TB-1C is built from standard 1x6 lumber.

	TB-1	TB-1A	TB-1B	TB-1C	2nd Roof
Floor Area (sq in)	23	32	22	22	
Materials:					
Lumber					
1x6		2' - 3"	4' - 6"	5' - 6"	
1x8		2' - 3"			
1x10		0' - 11"	0' - 10"		
1x12	3' - 0"				1' - 0"
Fasteners					
Nails - 2" galv	X	X	X	X	
3" galv					X
Tools Required:					
Saw					
Circular or hand		X	X	X	X
Table	X				
Electric drill	X	X	X	X	
Drill bit (1-1/2" Forstner)	X	X	X	X	
Hammer	X	X	X	X	X

Texas Blues TB-1 Nestbox

(Eastern Bluebird nestbox. Well ventilated - suited for Texas' heat.
Do NOT allow House Sparrows to nest – see webpage for details.)

Provided by:
Texas Bluebird Society
www.texasbluebirdsociety.org
(Version 4/15/02)



Tools: Hammer, table saw, drill, with 1-1/2" hole bit (Forstner is best – cuts smooth, accurate hole)

Materials: Lumber: 3'-0" of 1x12 (actual dimension 3/4 x 11). (White pine or cedar are most durable & workable, but other wood can be used as long as it is NOT chemically treated to repel insects or resist decay).

Nails: 2" galvanized (or 1-1/2" wood screws if preferred).

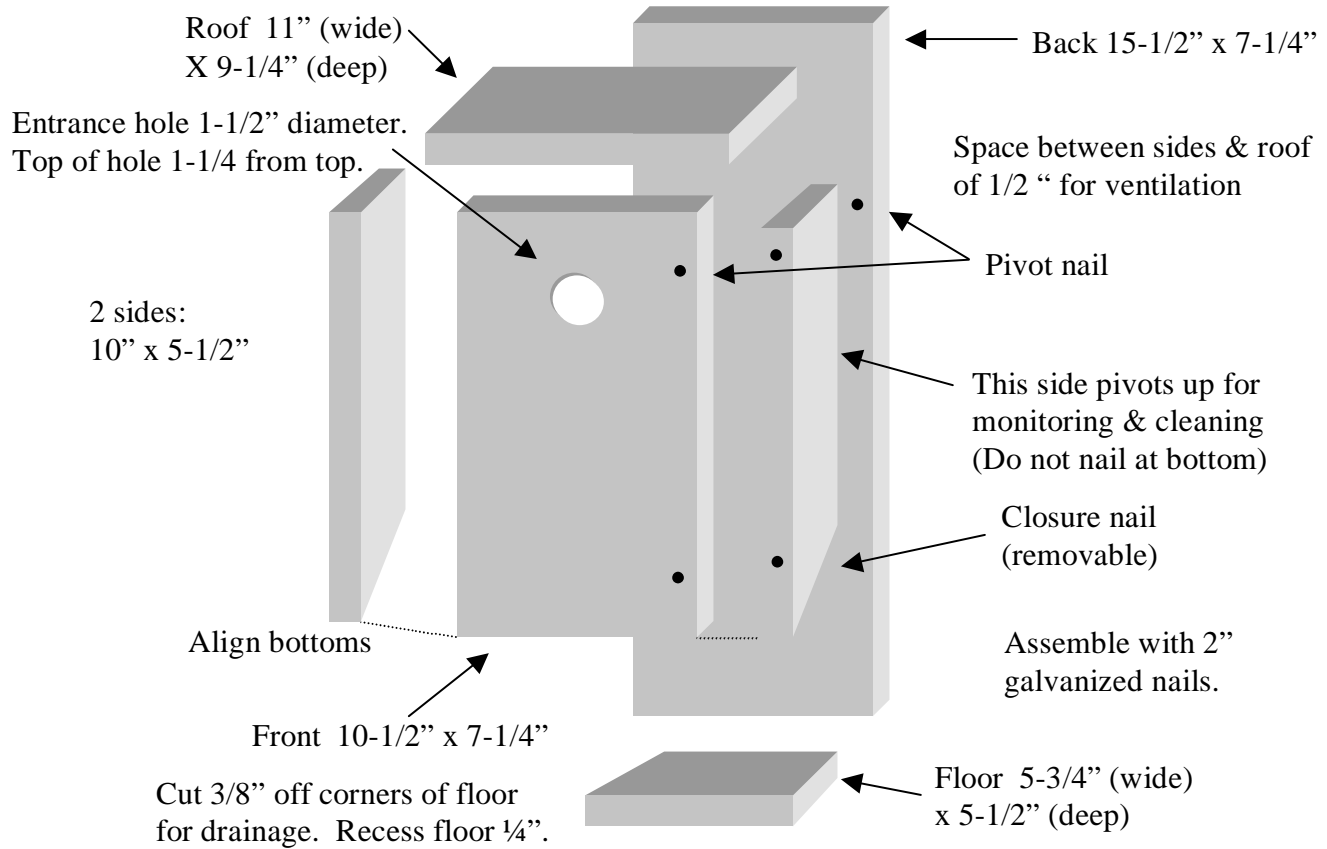
Directions:

- Cut a 9" long piece of 1x12 (roof).
- Rip the remaining 1x12 into two pieces with widths of 4-3/4" and 6-1/4".
- Cut the 4-3/4" wide piece into the following lengths: 2 – 10" (sides), 1 – 4-3/4" (bottom)
- Cut the 6-1/4" wide piece into the following lengths: 1 – 15-1/2" (back) & 1 – 10-1/2" (front).
- Cut the 1-1/2" diameter entrance hole in the front piece with the center of the hole 2" from the top edge.
- Attach the non-pivoting side piece to the back so that its top edge is 2-3/4" below the top of the back.
- Attach the pivoting side piece to the back with one nail at the top only (the pivot nail).
- Attach the front piece, with the bottom edge aligned with the bottom edge of the side pieces. Nail the pivoting side at the top only (the pivot nail).
- Cut 3/8" off the corners of the floor for drainage and attach the floor, recessing it 1/4".
- Attach the flat roof 1-1/4" down from the top edge of the back piece. The roof will be attached to the back and front only. The sides are 1/2" shorter, providing a gap for ventilation. The roof will extend out approximately 3" in front and 2" on the sides for rain protection.
- Attach appropriate mounting hardware. (Best predator protection if NOT mounted to tree.)

Texas Blues TB-1A Nestbox

(Eastern Bluebird nestbox. Well ventilated - suited for Texas' heat.
Do NOT allow House Sparrows to nest – see webpage for details.)

Provided by:
Texas Bluebird Society
www.texasbluebirdsociety.org
(Version 4/15/02)



Tools: Hammer, saw, drill, with 1-1/2" hole bit (Forstner is best – cuts smooth, accurate hole)

Materials: Lumber: 2'-3" of 1x6 (actual dimension 3/4 x 5-1/2), 2'-3" of 1x8 (actual dimension 3/4 x 7-1/4) and a 11" piece of 1x10 for roof. (White pine or cedar are most durable & workable, but other wood can be used as long as it is NOT chemically treated to repel insects or resist decay).

Nails: 2" galvanized (or 1-1/2" wood screws if preferred).

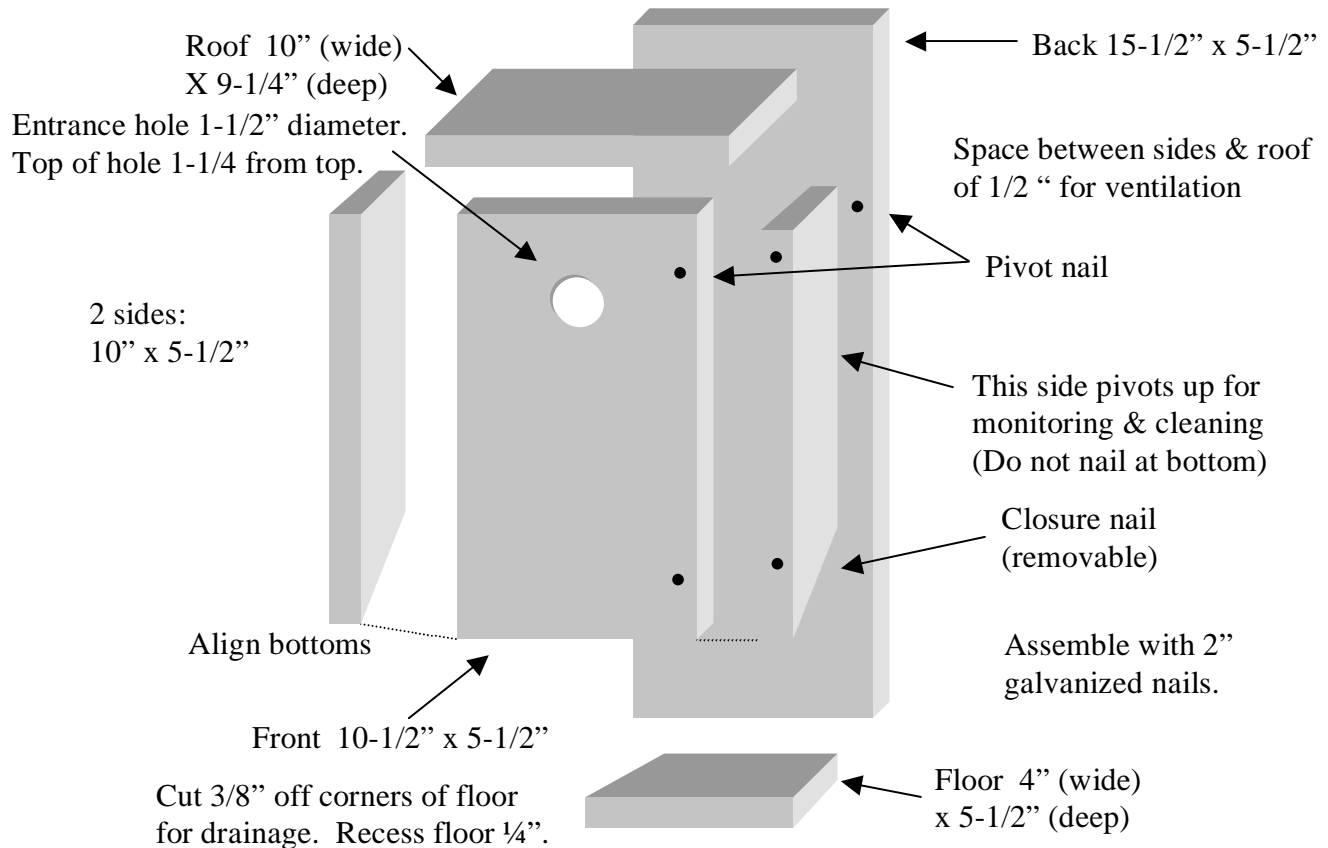
Directions:

- Cut the 1x6 lumber into the following lengths: 2 – 10" (sides), 1 – 5-3/4 (floor).
- Cut the 1x8 lumber into the following lengths: 1 – 10-1/2" (front), 1 – 15-1/2" (back)
- Cut the 1-1/2" diameter entrance hole in the front piece with the center of the hole 2" from the top edge.
- Attach the non-pivoting side piece to the back so that its top edge is 2-3/4" below the top of the back.
- Attach the pivoting side piece to the back with one nail at the top only (the pivot nail).
- Attach the front piece, with the bottom edge aligned with the bottom edge of the side pieces. Nail the pivoting side at the top only (the pivot nail).
- Cut 3/8" off the corners of the floor for drainage and attach the floor, recessing it 1/4".
- Attach the flat roof 1-1/4" down from the top edge of the back piece. The roof will be attached to the back and front only. The sides are 1/2" shorter, providing a gap for ventilation. The roof will extend out approximately 3" in front and 2" on the sides for rain protection.
- Attach appropriate mounting hardware. (Best predator protection if NOT mounted to tree.)

Texas Blues TB-1B Nestbox

(Eastern Bluebird nestbox. Well ventilated - suited for Texas' heat. Do NOT allow House Sparrows to nest – see webpage for details.)

Provided by:
Texas Bluebird Society
www.texasbluebirdsociety.org
(Version 4/15/02)



Tools: Hammer, saw, drill, with 1-1/2" hole bit (Forstner is best – cuts smooth, accurate hole)

Materials: Lumber: 4'-6" of 1x6 (actual dimension 3/4 x 5-1/2) and a 10" piece of 1x10 for roof. (White pine or cedar are most durable & workable, but other wood can be used as long as it is NOT chemically treated to repel insects or resist decay).

Nails: 2" galvanized (or 1-1/2" wood screws if preferred).

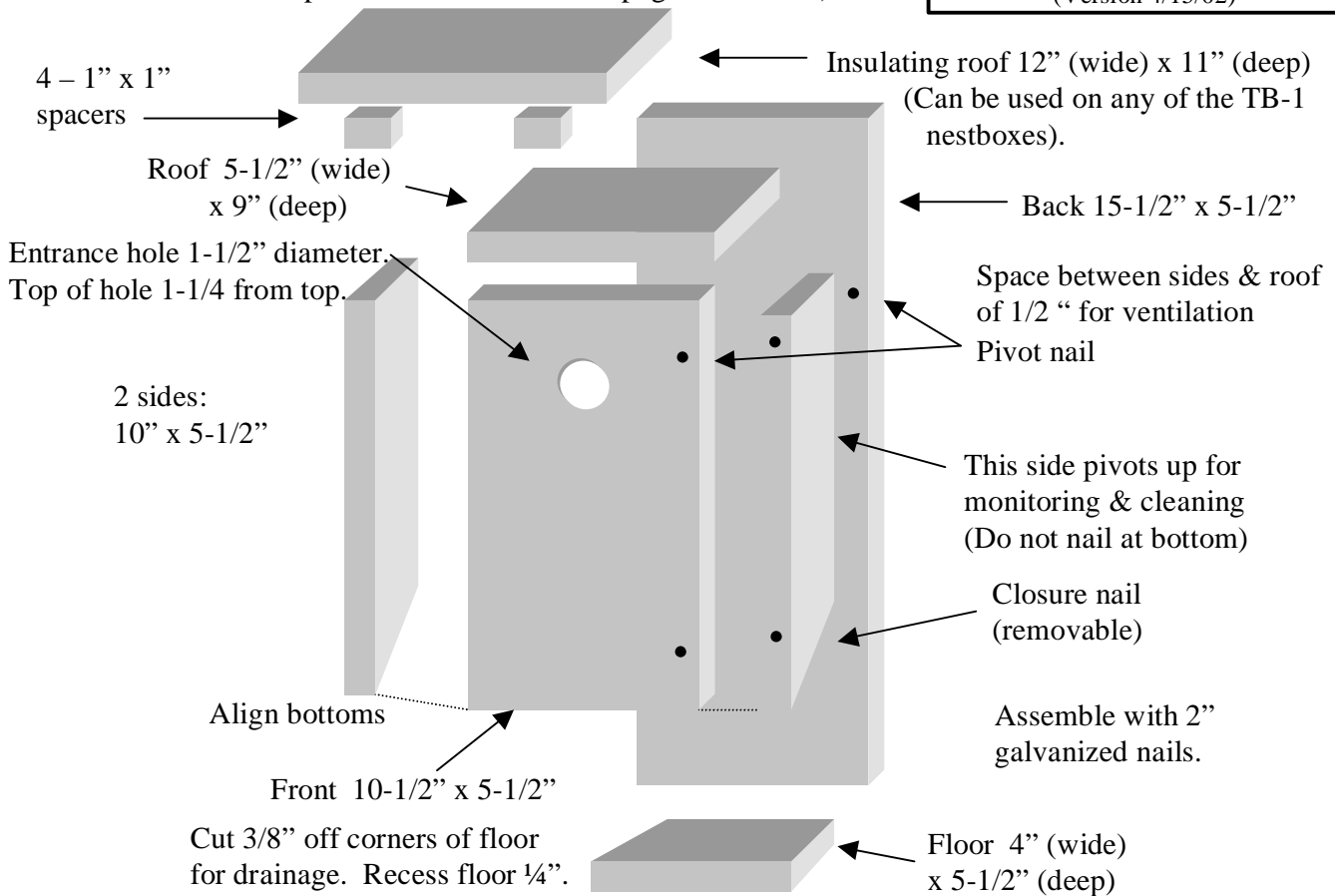
Directions:

- Cut the 1x6 lumber into the following lengths: 2 – 10" (sides), 1 – 10-1/2" (front), 1 – 15-1/2" (back), 1 – 4" (floor).
- Cut the 1-1/2" diameter entrance hole in the front piece with the center of the hole 2" from the top edge.
- Attach the non-pivoting side piece to the back so that its top edge is 2-3/4" below the top of the back.
- Attach the pivoting side piece to the back with one nail at the top only (the pivot nail).
- Attach the front piece, with the bottom edge aligned with the bottom edge of the side pieces. Nail the pivoting side at the top only (the pivot nail).
- Cut 3/8" off the corners of the floor for drainage and attach the floor, recessing it 1/4".
- Attach the flat roof 1-1/4" down from the top edge of the back piece. The roof will be attached to the back and front only. The sides are 1/2" shorter, providing a gap for ventilation. The roof will extend out approximately 3" in front and 2" on the sides for rain protection.
- Attach appropriate mounting hardware. (Best predator protection if NOT mounted to tree.)

Texas Blues TB-1C Nestbox

(Eastern Bluebird nestbox. Well ventilated - suited for Texas' heat.
Do NOT allow House Sparrows to nest – see webpage for details.)

Provided by:
Texas Bluebird Society
www.texasbluebirdsociety.org
(Version 4/15/02)



Tools: Hammer, saw, drill, with 1-1/2" hole bit (Forstner is best – cuts smooth, accurate hole)

Materials: Lumber: 5'-6" of 1x6 (actual dimension 3/4 x 5-1/2) and a 12" of 1x12 (actual dimension 3/4 x 11) for second roof. (White pine or cedar are most durable & workable, but other wood can be used as long as it is NOT chemically treated to repel insects or resist decay).

Nails: 2" galvanized (or 1-1/2" wood screws if preferred) & 3" galvanized (for 2nd roof).

Directions:

- Cut the 1x6 lumber into the following lengths: 2 – 10" (sides), 1 – 10-1/2" (front), 1 – 15-1/2" (back), 1 – 4" (floor), 1 – 9" roof, 1 – 1" (cut into 4 spacers for second roof)..
- Cut the 1-1/2" entrance hole in the front piece with the center of the hole 2" from the top edge.
- Attach the non-pivoting side piece to the back so that its top edge is 2-3/4" below the top of the back.
- Attach the pivoting side piece to the back with one nail at the top only (the pivot nail).
- Attach the front piece, with the bottom edge aligned with the bottom edge of the side pieces. Nail the pivoting side at the top only (the pivot nail).
- Cut 3/8" off the corners of the floor for drainage and attach the floor, recessing it 1/4".
- Attach the flat roof 1-1/4" down from the top edge of the back piece. The roof will be attached to the back and front only. The sides are 1/2" shorter, providing a gap for ventilation. The roof will extend out approximately 3" in front.
- Use 3" nails to attach second roof with 4 spacers for ventilation between primary and secondary roof.
- Attach appropriate mounting hardware. (Best predator protection if NOT mounted to tree.)