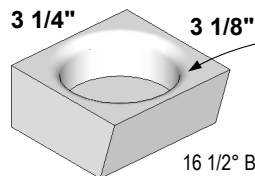
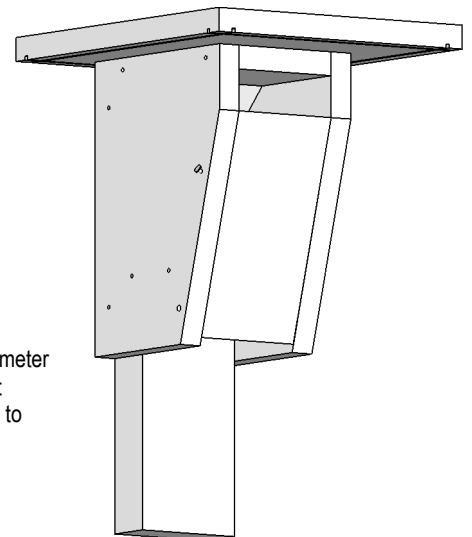


Gusset
Make from
2 x 4



Drill 2 1/2" diameter
1" deep. Rout
circumference to
3" diameter.

Optional Slide-out Tray



Quan	Material	Use
18"	1 x 4 (3/4" x 3 1/2")	Front, Ceiling, Floor
19"	1 x 8 (3/4" x 7 1/4")	Sides
11"	1 x 10 (3/4" x 9 1/4")	Roof
18"	2 x 4 (1-1/2" x 3 1/2")	Back, Gusset
4"	2 x 4 (1-1/2" x 3 1/2")	Optional Slide-out Tray

Troyer Slot
Bluebird Nestbox
Designed by: Andrew Troyer