

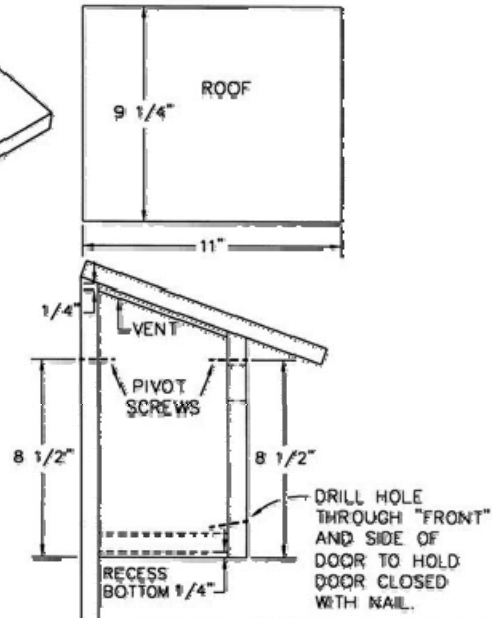
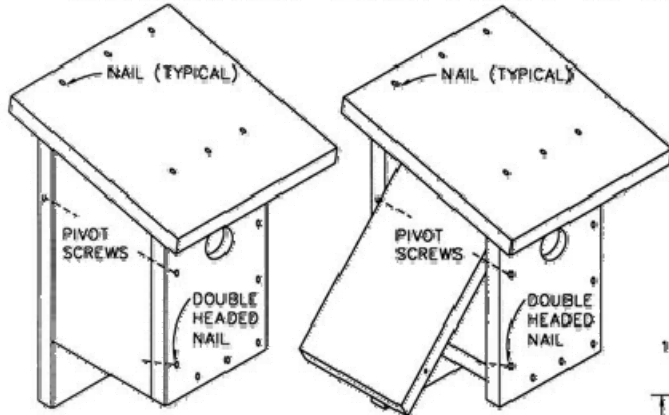


This Document provide by

North American Bluebird Society

www.nabluebirdsociety.com

MOUNTAIN BLUEBIRD NEST BOX (Western Bluebird also where ranges overlap.)



MATERIALS LIST

- STANDARD 1" X 6" NOMINAL - 27" LONG (ACTUAL SIZE 3/4" X 5 1/2")
- STANDARD BOARD 1" X 8" NOMINAL - 24" LONG (ACTUAL SIZE 3/4" X 7 1/4")
- STANDARD BOARD 1" X 10" NOMINAL - 11" LONG (ACTUAL SIZE 3/4" X 9 1/4")
- HOLE CUTTER 1 9/16" DIAMETER
- 1 3/4" GALVANIZED NAILS - APPROX. 20
- 1 3/4" GALVANIZED SCREW FOR PIVOT POINT - 2
- DOUBLE HEADED NAIL FOR HOLDING DOOR CLOSED - 1

BELOW ENTRANCE ON BOTH SIDES MAKE SCRATCHES INTO WOOD WITH NAIL FOR CLIMBING TRACTION.

